

ASM575A Onigiri Maker

Produces rice balls of various shapes and sizes



Professional Quality

Each rice ball is formed with the same air-to-rice ratio to create a soft texture and fluffiness.

Versatility

By utilizing different forming rollers, a variety of rice balls can be produced such as (but not limited to) Omusubi, Spam Musubi, Makunouchi, and Rice Sandwich.

Rice Amount Specification

Control the density of a rice ball by specifying the rice volume from 01-50 to create the right balance of rice grains to air.



Rice Balls for Onigiri



Easy Cleaning

Simple structure allows for easy disassembly, cleaning, and reassembly.



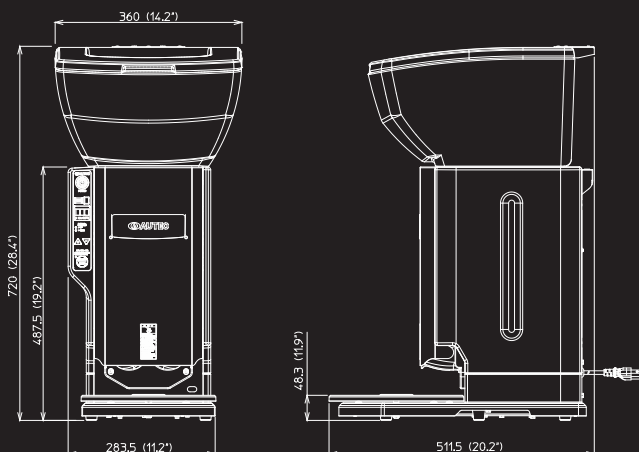
Single / Multi Forming Mode

Dispenses a single or multiple rice balls onto the turntable.



Forming Rollers

Various sizes of forming rollers available depending on your needs.



Power Supply	AC120V 60 Hz
Power Consumption	45W
Exterior Dimensions	W 14.2" x D 20.2" x H 28.4" (360mm x 511.5mm x 720mm) » Dimensions shown above are approximate. (Excl. power cord or screws)
Weight	Approx. 55.1 lbs. (25kg)
Hopper Capacity	Approx. 22.0 lbs. (10kg)
Production Rate	1.8 - 2.8 seconds per rice ball Up to 1300 - 1950 rice balls per hour